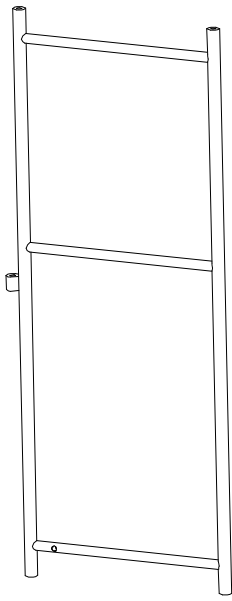
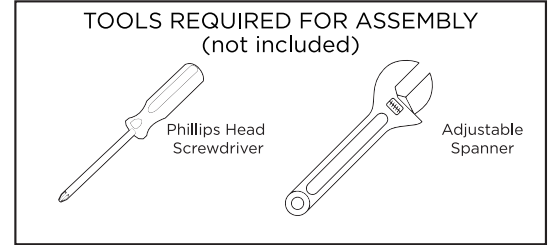
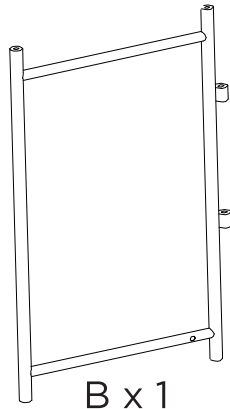


## Plant Stand Assembly Instructions

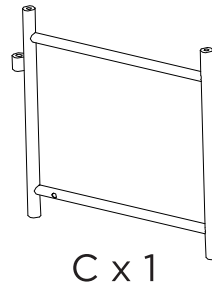
### MADRIL 3 - TIER METAL PLANT STAND 60cm



A x 1



B x 1



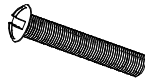
C x 1



D x 3



E x 3



F x 2



G x 2



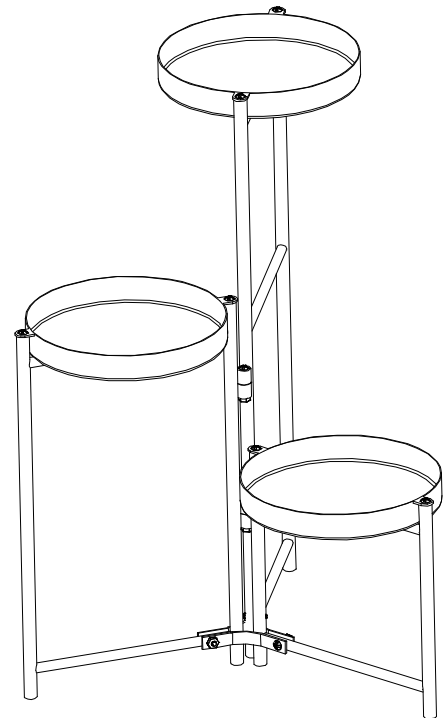
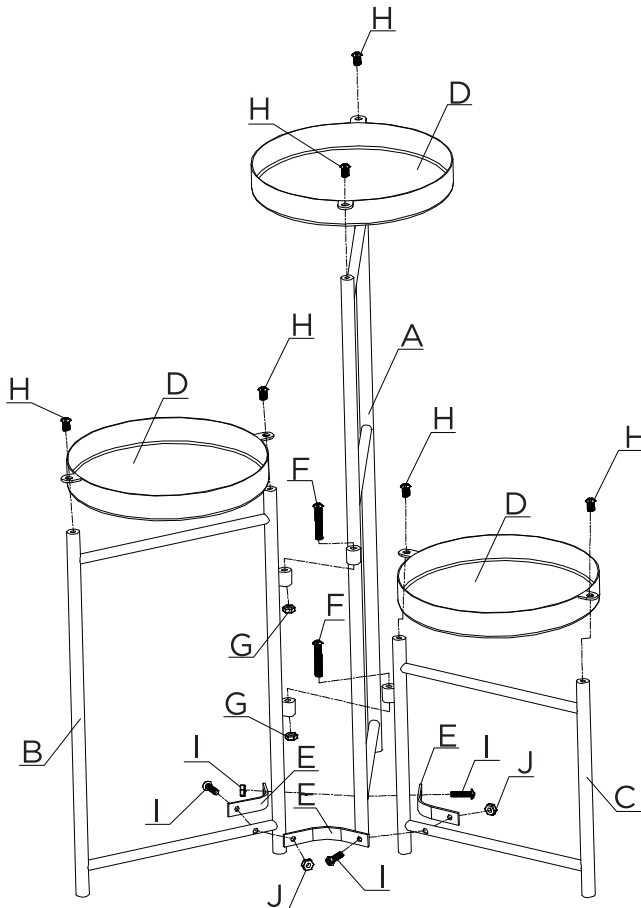
H x 6



I x 3



J x 3



# MADRIL 3 - TIER METAL PLANT STAND 60cm

