

**COLE &
BRIGHT**

SECURITY

63728

SOLAR POWERED + LINKABLE ECLIPSE SECURITY LIGHT

with
radar 360°+
LINKABLE



IMPORTANT INFORMATION

- Keep these instructions safe for future reference.
- Your motion light and solar panel are both weatherproof.
- You can mount your motion light indoors, but your solar panel must be installed outdoors to receive light from the sun.
- If using a step ladder, you may require a second person to help install the solar motion light.
- Prior to installation, lay out all the components and check the part list section in this manual.
- Never look directly into the solar motion light when illuminated.
- If you locate your light in the vicinity of windows or glass doors, movement may trigger the sensor to turn the lights on. Locate your lights with this in mind.

IMPORTANT: READ ALL SAFETY INFORMATION AND INSTALLATION INSTRUCTIONS BEFORE INSTALLING OR SERVICING THIS PRODUCT. SAVE THIS MANUAL FOR FUTURE REFERENCE.

Introducing radar360°+ LINKABLE

Radar 360° + LINKABLE is the new next-generation solar sensor light from Cole & Bright. The new "LINKABLE" technology turns a single security light into a potential chain of security lights.

Radar 360° + LINKABLE requires no wires, hardware, or additional components - just another Radar 360° + LINKABLE light in the vicinity.

Radar 360° + LINKABLE lights do not have to be the same. The technology spans the Radar 360° + range, allowing you to connect a post light to a wall-mounted light or an inground spotlight to a post light, helping to create a well-lit, secure and safer environment around the home.

Any solar light can be a security light with Cole and Bright.



ULTRA BRIGHT SENSOR MODE

The Eclipse+ Solar Security Light has ULTRA BRIGHT mode because it is a spotlight. Other LINKABLE lights in the RADAR 360° + Linkable Range may also have an AMBIENCE mode.



MAXIMUM ENERGY SAVING

RADAR 360° + Linkable lights require no mains wiring - the solar light is charged by energy from the sun.



SMART CONTROL FUNCTION

Easy to use SMART CONTROL FUNCTION allows you to link multiple Radar 360° + lights to create a network of multiple lights that illuminate the perimeter around your home when triggered.

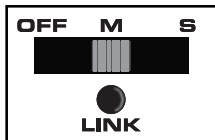
OPERATING INSTRUCTIONS

The switch located on the front of the solar light panel housing in between the lights is to turn on the product and also to link your Radar 360° linkable lights together (if you are creating a linked network)

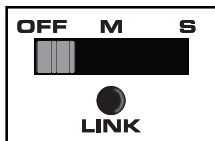
CHARGING YOUR RADAR 360° LIGHTS FOR THE FIRST TIME

1. Find a location where your light is exposed to full sunlight for at least 8 hours. This will typically require a full day so start charging in the morning.

2. Push your light switch to the “M” position for charging to commence.



3. After charging is complete or it is getting dark, turn your switch to **OFF** until you are ready to start the **LINK** process. This prevents the battery from running down again, if there is a delay between charging, **LINKING** and installation.



LINKING YOUR RADAR 360° + LIGHTS FOR THE FIRST TIME Only TWO (2) Lights (for linking 3 or more lights, please see website)

1. Make sure your lights are fully charged before you commence the Link procedure.

2. Take the 2 lights you wish to pair and place the lights upwards on a level flat surface.

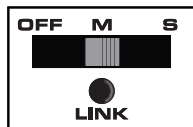
3. Choose one light to be a Master light. The other light(s) will then be Secondary light.



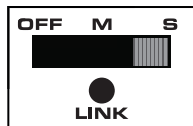
LINKING YOUR RADAR 360° + LIGHTS FOR THE FIRST TIME

Only TWO (2) Lights (con't)

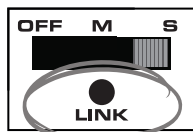
4. On the Master light move the switch located in between the two lights to "M" position.



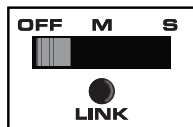
5. On the Secondary Light move the switch on the base to "S" position (right).



6. Once the switches have been set, press the **LINK** buttons on both units simultaneously for a full 5 seconds and release. The lights will now start the pairing mode. The Master light should be slowly flashing and the Secondary light should be a steady white light. If so, the pairing has been successful.



7. Push the Secondary unit to **OFF** position. The light should turn off.



8. Push the Master unit to **OFF** position. The light should turn off.

Your lights are now linked. When the linking process is completed, the Radar 360° + Linkable lights create a chain of lights so that each light is set off by its nearest linked light.



9. Now push the switch on the Secondary light to "S" position and Master light to "M" position to begin normal operation. Remember "M" = Master.

IMPORTANT - IDENTIFY YOUR MASTER LIGHT SO IT CAN BE EASILY LOCATED IN THE FUTURE. It will be needed when adding new Radar 360° + lights to the network in the future. Switch should be set to "M" (for Master) position. We also suggest also tying something bright or easy to see to the neck between the panel & light.

10. If the link is not working as expected, simply reset your lights to factory setting by following the "Unlinking your Radar 360° + Light" Instructions and then start again.

IF YOU WANT YOUR RADAR 360° + LIGHTS UNLINKED

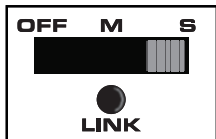
Radar 360° + lights can be linked to other Radar 360° + Linkable lights OR used unlinked on a standalone basis.

Standalone Basis

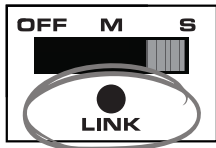
If never previously linked simply charge your light and set to “M” or “S” position.

Unlinking your Radar 360° + Lights

1. To remove a light from the linked network for use as a standalone, switch the light you wish to remove to the “S” position (far right).



2. Press and hold the **LINK** button for more than 10 seconds.



3. Once the light changes from flashing to solid, the linked light has been unlinked to the network. Other linked lights will not be affected.

4. Release the **LINK** button.

5. Now turn **OFF** and back on - either to the “M” or “S” position to enable the light to function normally.

You are now free to relocate your light to another unlinked location.

LOCATING LIGHTS IN THE NETWORK FOR BEST RESULTS







Radar 360°s has ultrasensitive sensors that detect movement at up to 7 metres in any direction from the light.

We recommend that you link your lights around 5m apart for best results.

If you locate a Radar360° + light in the vicinity of windows or glass doors, movement indoors will likely trigger the sensors and turn the light on. This might be a nuisance in a high traffic area.

Therefore locate your lights in a position that is unlikely to set off your Radar360° light from incidental movement inside your house.

TOOLS REQUIRED TO INSTALL (not included)

					
Electric Power Drill	Phillips Screwdriver	Pencil	Ladder	Eye Protection	Level

PARTS LIST

4 wall inserts	4 phillips screws	1 solar panel	1 light unit
-------------------	----------------------	------------------	-----------------

GENERAL PRECAUTIONS

Keep out of reach of children.

PRE-INSTALLATION

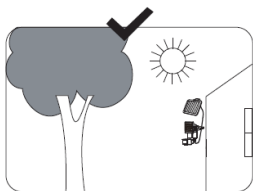
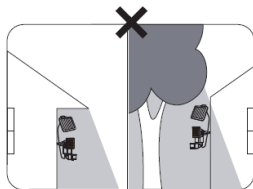
- Carefully remove the fixture from carton and check that all parts are included. Be careful not to misplace any of the parts needed for installation.
- For best results, determine light placement location before assembly. Charge the light in full sunlight for 24 hours prior to using.

INSTALLATION

Choose an ideal location.

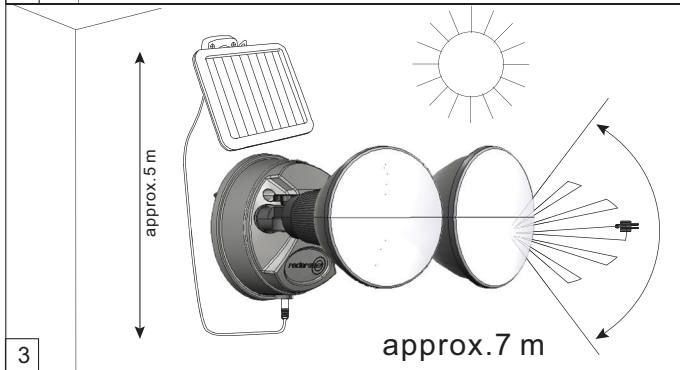
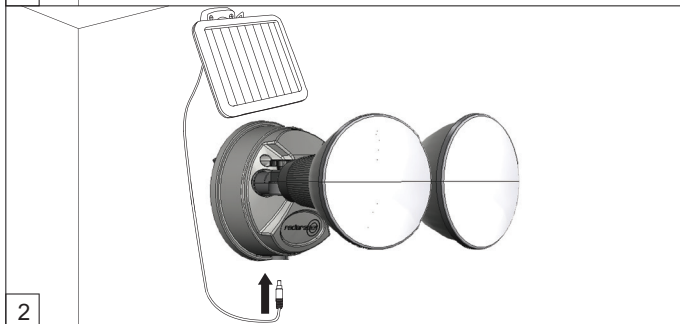
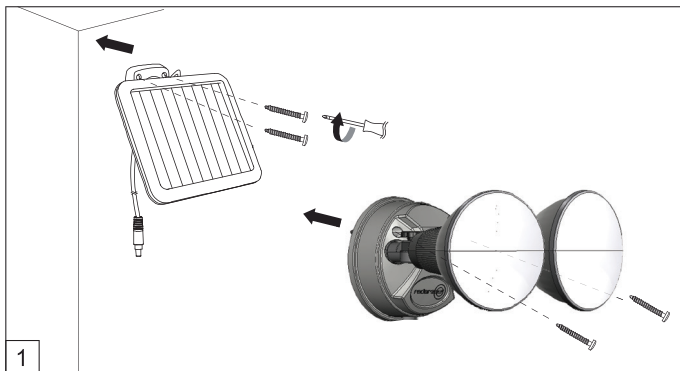
Choose an outdoor location with full, direct sunlight so that the solar panel can receive at least 6-8 hours of sunlight each day. Shady locations will result in the battery receiving less energy and shorten the duration of illumination at night. The selected location should not be near strong lighting sources such as street lights. This may cause the light to turn off automatically as the built-in sensor detects the nearby lighting source.

The Eclipse+ Security Light uses a highly sensitive motion sensor. Therefore placement position of the light is important. For best results we recommend you place the Eclipse+ 7m away from areas where it is likely to be triggered by unintended movement. For example, windows where there is regular movement in the house.



NOTE:

The Radar360° linkable signal can penetrate most obstacles. The signal CANNOT penetrate metal objects.



If you are doing any of the following go to the locations below for detailed instructions -

LINKING 3 OR MORE LIGHTS (FOR THE FIRST TIME)

ADDING A NEW LIGHT(S) TO THE LINKED NETWORK

ADDING A NEW LIGHT(S) TO THE LINKED NETWORK (but you can't find the Original Master Light)

- Our website link: www.brunnings.com.au
- Scan the QR code on the right
- Go to our How To Videos:
www.youtube.com/Radar360linkable



**SCAN HERE
FOR MORE
INFORMATION**

TROUBLESHOOTING

PROBLEM

Light will not come on.

POSSIBLE CAUSES

- Solar panel not positioned in direct sunlight.
- Battery pack not fully charged.
- Solar panel no longer as bright.

SOLUTION

- Reposition the solar panel.
- Recharge the battery pack
- Sun exposure may fluctuate as the season change.
Reposition the light or replace the battery pack.

CARE AND MAINTENANCE

- From time to time, ensure the plug between the solar panel and light is securely connected.
- It is advised to adjust the angle of the solar panel to optimise the exposure to the sun during the winter months.
- The solar panel and the lens should be cleaned with a damp cotton cloth on a regular basis to ensure optimal performance. Periodically, utilise the same technique to clean the lens of the motion light.
- Never let any abrasive material come into contact with the solar panel.

For recycling and disposal of batteries to protect the environment, please check the internet or your local phone directory for local recycling centres and/or follow local government regulations.